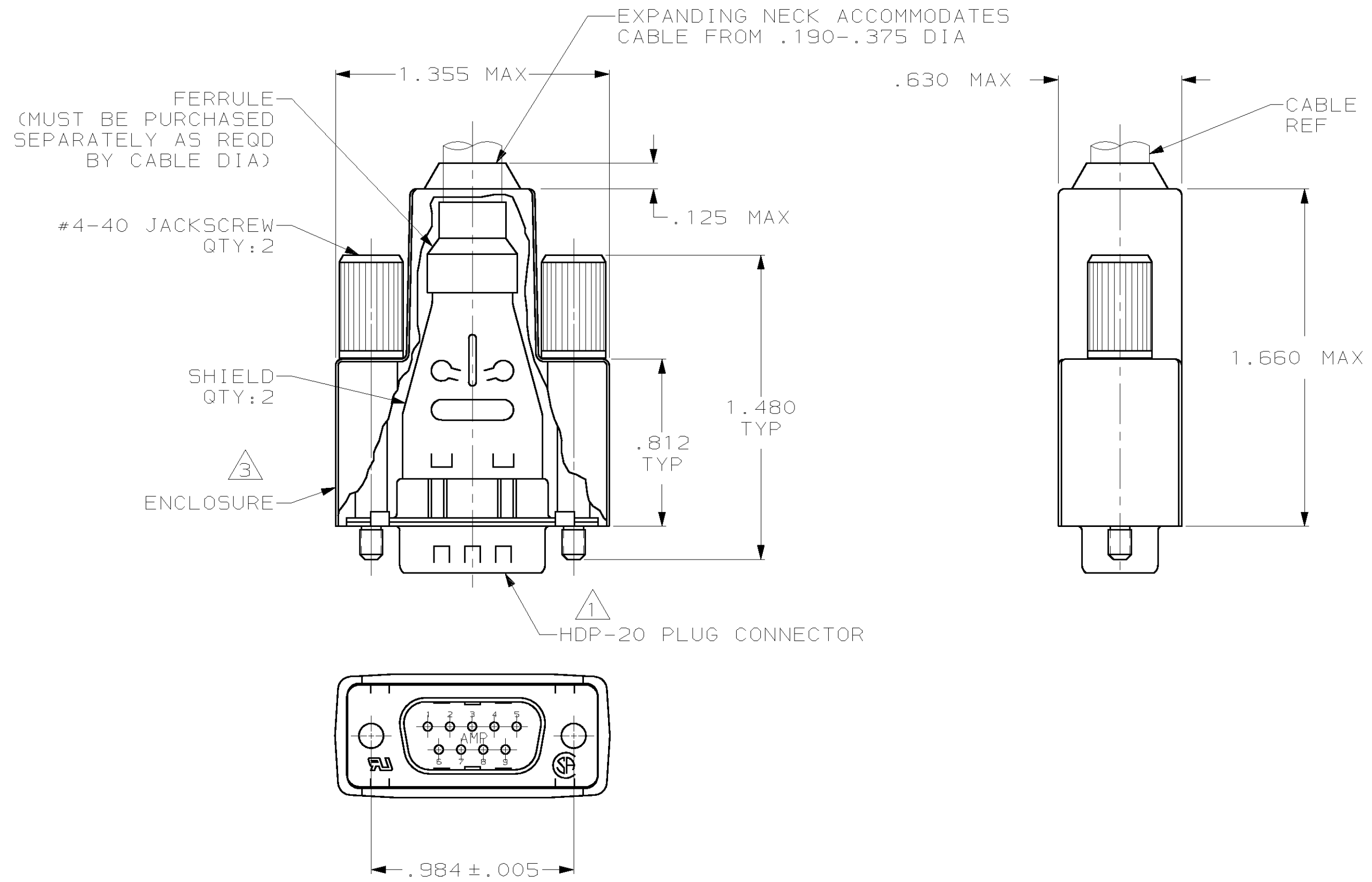


THIS DRAWING IS UNPUBLISHED. RELEASED FOR PUBLICATION  
 BY AMP INCORPORATED. ALL RIGHTS RESERVED.

LOC	DIST	REVISIONS			
P	LTR	DESCRIPTION	DATE	DWN	APVD
GP	00	0	RELEASED PER EC 0513-0196-03	31JUL03	JR JG



- ① PLUG ACCEPTS SIZE 20 DF PIN CONTACTS. CONTACTS MUST BE PURCHASED SEPARATELY.
- 2. ALL PARTS SHIPPED UNASSEMBLED.
- ③ FLAME RETARDANT 94V-0 RATED, STYRENE POLYOLEFIN OR PVC, BLACK.
- ④ FLAME RETARDANT 94V-0 RATED GLASS FILLED, NYLON OR POLYESTER, BLACK.
- ⑤ STEEL PER ASTM A109.
- ⑥ .000200 MIN TIN PLATE OVER .000100 MIN COPPER UNDERPLATE.
- ⑦ COMPONENTS INDIVIDUALLY BULK PACKED.
- ⑧ ZINC ALLOY.
- ⑨ ZINC PHOSPHATE COATING, BLACK.

⑦	W/LOGO	⑨	⑧	1658655-1
PACKAGING	REMARKS	JACKSCREWS FINISH	JACKSCREWS MATERIAL	PART NUMBER

THIS DRAWING IS A CONTROLLED DOCUMENT.		DWN	J. REITZEL	31 JUL 03	AMP Incorporated Harrisburg, PA 17105-3608
DIMENSIONS: INCH		CHK	S. BOLASH	31 JUL 03	
		APVD	M. WALMSLEY	31 JUL 03	
TOLERANCES UNLESS OTHERWISE SPECIFIED: 0 PLC ± 1 PLC ± 2 PLC ± 3 PLC ±.020 4 PLC ± ANGLES ±		NAME	PLUG KIT, SHIELDING ENCLOSURE, 9 POSN, SIZE 1, AMPLIMITE™ HDP-20		
MATERIAL INSERT: ④		PRODUCT SPEC	108-40030		SIZE
SHELLS & SHIELDS: ③		APPLICATION SPEC	114-40030		CAGE CODE
JACKSCREWS: SEE TABLE		FINISH SHELLS & SHIELDS: ③	WEIGHT	-	DRAWING NO
		JACKSCREWS: SEE TABLE	CUSTOMER DRAWING		RESTRICTED TO
SCALE 2:1					SHEET 1 OF 1
REV 0					

1658655